

INSTRUCTIONS – INSTRUCTIONS – INSTRUÇÕES – INSTRUCCIONES



Silver Airless Spray Gun; Pistolet pulvérisateur sans air Silver; Pistola de pulverização a alta pressão Silver; Pistola de pulverización sin aire Silver

309092C

List of Models, page 2/Liste de modèles, page 2/
Lista dos modelos, página 2/Lista de modelos, página 2

5000 psi (345 bar, 34.5 MPa) Maximum Working Pressure
Pression de service maximum 5000 psi (345 bar, 34.5 MPa)
Pressão máxima de trabalho de 5000 psi (345 bar, 34.5 MPa)
Presión máxima de funcionamiento de 5000 psi (345 bar, 34.5 MPa)



IMPORTANT WARNINGS AND INFORMATION.

Read and keep for reference.

ADVERTENCIAS E INFORMACIÓN IMPORTANTES.

Léalo y guárdelo para consultas.

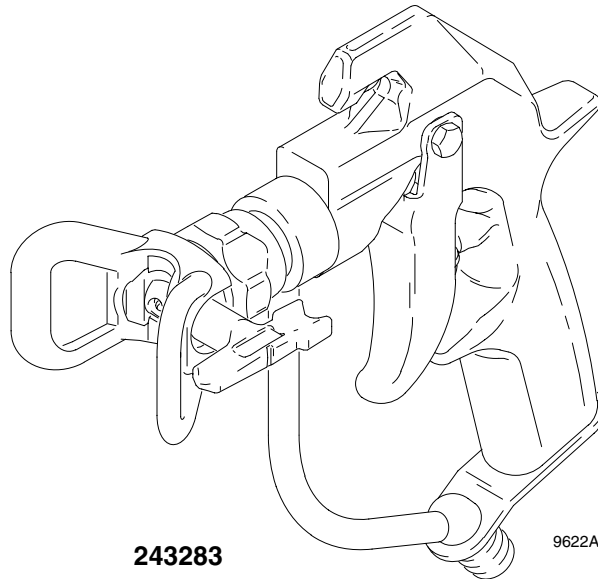
ADVERTÊNCIAS E INFORMAÇÕES IMPORTANTES.

Leia e guarde para referência.

INFORMATIONS ET MISES EN GARDE IMPORTANTES.

À lire et conserver comme référence.

美国固瑞克规格243283手动喷枪维修操作说明书



243283

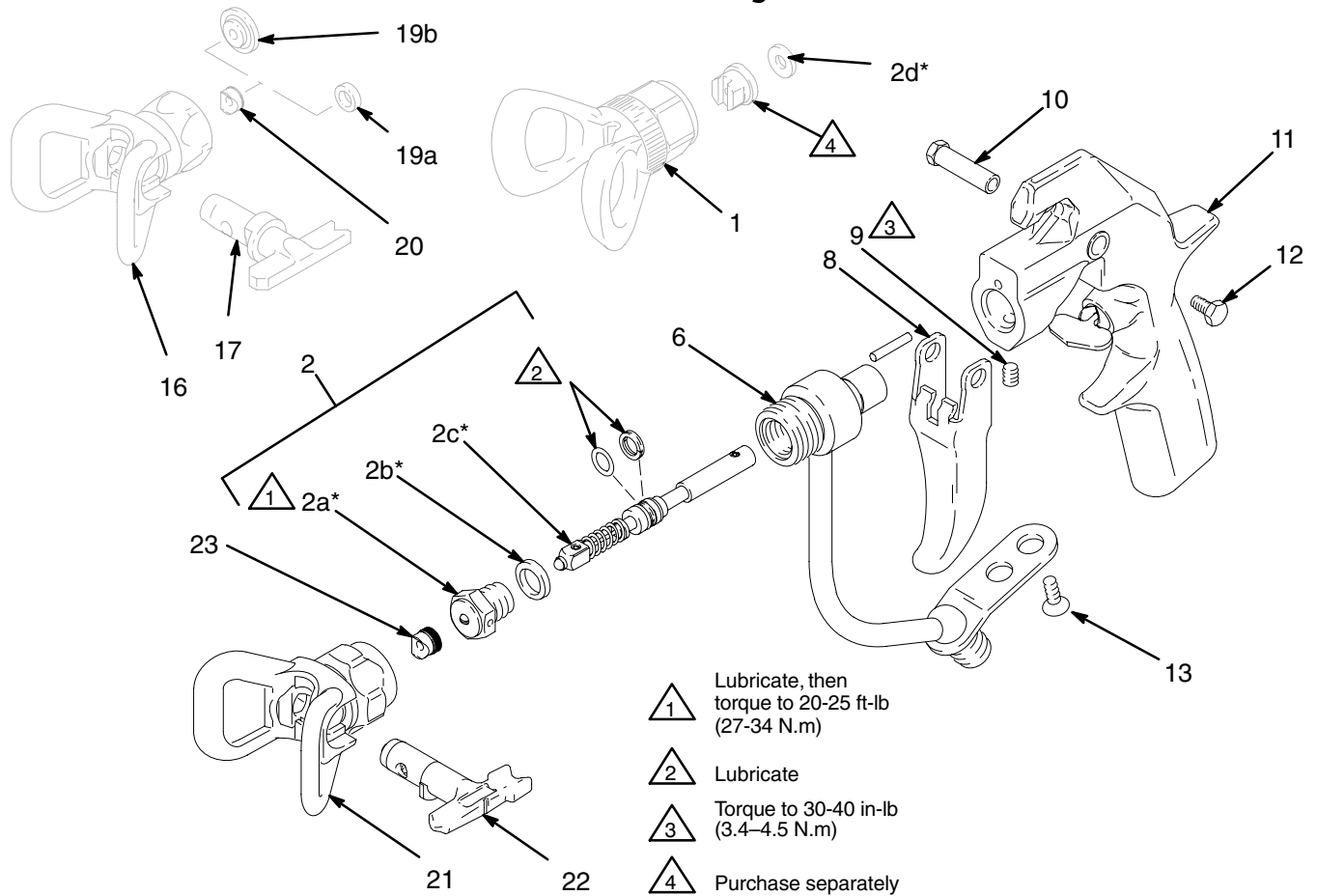
9622A

All models not available in all countries.
Tous les modèles ne sont pas disponibles dans tous les pays.
Nem todos os modelos se encontram disponíveis em todos os países.
Hay modelos que no se distribuyen en todos los países.



固瑞克中国大区 配件耗材销售服务中心 13584444067

Parts / Pièces / Peças / Piezas



9626A

235460, C: Standard (non-reversing) DripLess™ Tip Guard: 2-finger trigger. *Includes items 1 to 15.*
237695, B: No tip Guard or spray tip; 2-finger trigger. *Includes items 2 to 15.*

235461, B: Standard (non-reversing) DripLess™ Tip Guard; 4-finger trigger. *Includes items 1 to 15.*

Ref No.	Part No.	Description	Qty.	Ref No.	Part No.	Description	Qty.
1	220251	STANDARD TIP GUARD	1	1	220251	STANDARD TIP GUARD	1
2	235474	NEEDLE KIT <i>Includes items 2a to 2d</i>	1	2	235474	NEEDLE KIT <i>Includes items 2a to 2d</i>	1
2a*	◇	DIFFUSER/SEAT	1	2a*	◇	DIFFUSER/SEAT	1
2b*	◇	GASKET, copper	1	2b*	◇	GASKET, copper	1
2c*	◇	NEEDLE	1	2c*	◇	NEEDLE	1
2d*	166969	TIP GASKET	1	2d*	166969	TIP GASKET	1
6	235482	FLUID HOUSING, two finger	1	6	235483	FLUID HOUSING, four finger	1
8	187985	TRIGGER, two finger	1	8	188127	TRIGGER, four finger	1
9	102207	SETSCREW, 1/4-20	1	9	102207	SETSCREW, 1/4-20	1
10	187965	PIVOT PIN	1	10	187965	PIVOT PIN	1
11	235471	GUN HANDLE	1	11	235471	GUN HANDLE	1
12	203953	SCREW, hex washer hd, 10-24	1	12	203953	SCREW, hex washer hd, 10-24	1
13	107091	SCREW, 1/4-20	2	13	107091	SCREW, 1/4-20	2
14▲	187987	WARNING TAG <i>not shown</i>	1	14▲	187987	WARNING TAG <i>not shown</i>	1
15▲	222385	WARNING CARD <i>not shown</i>	1	15▲	222385	WARNING CARD <i>not shown</i>	1

Parts / Pièces / Peças / Piezas

235462, C

Fine-Finish (non-reversing) DripLess™ Tip Guard; 2-finger trigger. *Includes 1 to 15.*

Ref No.	Part No.	Description	Qty.
1	220247	FINE FINISH TIP GUARD	1
2	235475	NEEDLE KIT <i>Includes items 2a to 2d</i>	1
2a†	◇	PRE-ORIFICE SEAT	1
2b†	◇	GASKET, copper	1
2c†	◇	NEEDLE	1
2d†	162863	TIP GASKET	1
6	235482	FLUID HOUSING, two finger	1
8	187985	TRIGGER, two finger	1
9	102207	SETSCREW, 1/4-20	1
10	187965	PIVOT PIN	1
11	235471	GUN HANDLE	1
12	203953	SCREW, hex washer hd, 10-24	1
13	107091	SCREW, 1/4-20	2
14▲	187987	WARNING TAG <i>not shown</i>	1
15▲	222385	WARNING CARD <i>not shown</i>	1

243283, A

HandTite™ Tip Guard; 2-finger trigger. *Includes 2 to 23.*

234237, A

HandTite™ Tip Guard; 4-finger trigger. *Includes 2 to 24.*

Ref No.	Part No.	Description	Qty.
2	235474	NEEDLE KIT <i>Includes items 2a to 2c</i>	1
2a*	◇	DIFFUSER/SEAT	1
2b*	◇	GASKET, copper	1
2c*	◇	NEEDLE	1
6	235482	FLUID HOUSING, two finger, Model 243283	1
	235483	FLUID HOUSING, four finger Model 234237	1
8	187985	TRIGGER, two finger Model 243283	1
	188127	TRIGGER, four finger Model 234237	1
9	102207	SETSCREW, 1/4-20	1
10	187965	PIVOT PIN	1
11	235471	GUN HANDLE	1
12	203953	SCREW, hex washer hd, 10-24	1
13	107091	SCREW, 1/4-20	2
14▲	187987	WARNING TAG <i>not shown</i>	1
15▲	222385	WARNING CARD <i>not shown</i>	1
18▲	187346	WARNING SHEET <i>not shown</i>	1
21	243161	HandTite™ Tip Guard	1
22	286517	RAC 5 SwitchTip, Size 517	1
23	243281	OneSeal™ (5-pack)	1
24	155570	UNION, swivel; 1/4 npsm(f) x 1/4 npt(f) <i>not shown</i>	1

The following information applies to all parts lists:

* *Included in Repair Kit 235474, purchased separately. Kit includes installation tool.*

† *Included in Repair Kit 235475, purchased separately. Kit includes installation tool.*

◇ *Part not sold separately*

▲ *Replacement Danger and Warning labels, tags and cards are available at no cost. / Les étiquettes et les panonceaux de danger et de mise en garde supplémentaires sont disponibles gratuitement. / Encontram-se disponíveis gratuitamente etiquetas, rótulos e cartões de advertência e de perigo sobressalentes. / Se pueden obtener gratuitamente tarjetas y etiquetas de advertencia y de peligro, de recambio.*

Parts / Pièces / Peças / Piezas

235464, C; 236531, C and 238966, A

235464 and 236531: Heavy Duty RAC® tip; 2–finger fluid housing, 2–finger trigger. 238966: Heavy Duty RAC® tip, customer specified tip, 4–finger fluid housing and 2 finger trigger. *Includes 2 to 20.*

Ref

Ref No.	Part No.	Description	Qty.
2	235474	NEEDLE KIT <i>Includes items 2a to 2c</i>	1
2a*	◇	DIFFUSER/SEAT	1
2b*	◇	GASKET, copper	1
2c*	◇	NEEDLE	1
2d*	166969	TIP GASKET	1
6		FLUID HOUSING	1
	235482	Two finger, Models 235464 and 236531	1
	235483	Four finger, Model 238966	1
8	187985	TRIGGER, two finger	1
9	102207	SETSCREW, 1/4–20	1
10	187965	PIVOT PIN	1
11	235471	GUN HANDLE	1
12	203953	SCREW, hex washer hd, 10–24	1
13	107091	SCREW, 1/4–20	2
14▲	187987	WARNING TAG <i>not shown</i>	1
15▲	222385	WARNING CARD <i>not shown</i>	1
16	222674	HEAVY DUTY RAC tip assembly	1
17		HEAVY DUTY SwitchTip	1
	GHD617	Size 617, Model 235464	1
	GHD415	Size 415, Model 236531	1
	GHDXXX	Customer choice, Model 238966	1
19		GASKET, tip guard	1
19a	221176	GASKET, black (5 pack); includes 20 Use with water based coatings	1
19b	224081	GASKET, yellow (5 pack); includes 20 Use with solvent based coatings	1
20	◇	SEAT, cylinder; included with 19	1

Ref

Ref No.	Part No.	Description	Qty.
238591, A			
Heavy Duty RAC® tip; 4–finger trigger. <i>Includes 2 – 20.</i>			
2	235474	NEEDLE KIT <i>Includes items 2a to 2c</i>	1
2a*	◇	DIFFUSER/SEAT	1
2b*	◇	GASKET, copper	1
2c*	◇	NEEDLE	1
2d*	166969	TIP GASKET	1
6	235483	FLUID HOUSING, four finger	1
8	188127	TRIGGER, four finger	1
9	102207	SETSCREW, 1/4–20	1
10	187965	PIVOT PIN	1
11	235471	GUN HANDLE	1
12	203953	SCREW, hex washer hd, 10–24	1
13	107091	SCREW, 1/4–20	2
14▲	187987	WARNING TAG <i>not shown</i>	1
15▲	222385	WARNING CARD <i>not shown</i>	1
16	237162	HEAVY DUTY RAC tip assembly	1
17	GHD619	HEAVY DUTY SwitchTip, Size 619	1
19		GASKET, tip guard	1
19a	221176	GASKET, black (5 pack); includes 20 Use with water based coatings	1
19b	224081	GASKET, yellow (5 pack); includes 20 Use with solvent based coatings	1
20	◇	SEAT, cylinder	1

List of Models/Liste des modèles/ Lista dos modelos/Lista de modelos

237695, B

2-finger trigger. No tip guard or spray tip; order separately.
Gâchette de 2 doigts. Aucune garde-buse ou buse; commande séparément.
Gatilho de 2 dedos. Nenhuma protecção de bico ou bico; ordem separada.
Gatillo de 2 dedos. Ningún protección de boquilla o boquilla; orden por separado.

235460, C

Standard (nonreversing) Dripless™ Tip Guard; 2-finger trigger. No spray tip; order separately.
Norme (non réversible) Garde-buse Dripless™; gâchette de 2 doigts. No buse; commande séparément.
Padrão (nao reversível) Protecção de bico Dripless™; gatilho de 2 dedos. No bico; ordem separada.
Estándar (no reversible) Protección de boquilla Dripless™; gatillo de 2 dedos. No boquilla; orden por separado.

235461, B

Standard (nonreversing) Dripless™ Tip Guard; 4-finger trigger. No spray tip; order separately.
Norme (non réversible) Garde-buse Dripless™; gâchette de 4 doigts. No buse; commande séparément.
Padrão (nao reversível) Protecção de bico Dripless™; gatilho de 4 dedos. No bico; ordem separada.
Estándar (no reversible) Protección de boquilla Dripless™; gatillo de 4 dedos. No boquilla; orden por separado.

235462, C

Fine Finish. Standard (nonreversing) Dripless™ Tip Guard; 2-finger trigger. No spray tip; order separately.
Finition Supérieure. Norme (non réversible) Garde-buse Dripless™; gâchette de 2 doigts. No buse; commande séparément.
Revestimento Superior. Padrão (nao reversível) Protecção de bico Dripless™; gatilho de 2 dedos. No bico; ordem separada
Final Superior. Estándar (no reversible) Protección de boquilla Dripless™; gatillo de 2 dedos. No boquilla; orden por separado.

243283, A

HandTite™ Tip Guard, 517 RAC™ 5 SwitchTip™; 2-finger trigger
Garde HandTite™, buse 517 RAC™ 5 SwitchTip™; gâchette de 2 doigts
Protecção HandTite™, bico 517 RAC™ 5 SwitchTip™; gatilho de 2 dedos
Protección HandTite™, boquilla 517 RAC™ 5 SwitchTip™; gatillo de 2 dedos

234237, A

HandTite™ Tip Guard, 517 RAC™ 5 SwitchTip™; 4-finger trigger
Garde HandTite™, buse 517 RAC™ 5 SwitchTip™; gâchette de 4 doigts
Protecção HandTite™, bico 517 RAC™ 5 SwitchTip™; gatilho de 4 dedos
Protección HandTite™, boquilla 517 RAC™ 5 SwitchTip™; gatillo de 4 dedos

235464, C

Heavy Duty RAC Tip Guard, 617 SwitchTip; 2-finger trigger
Résistant RAC Garde-buse, 617 SwitchTip; gâchette de 2 doigts
Resistente RAC Protecção de bico, 617 SwitchTip; gatilho de 2 dedos
Resistente RAC Protección de boquilla, 617 SwitchTip; gatillo de 2 dedos

238591, A

Heavy Duty RAC Tip Guard, 619 SwitchTip; 4-finger trigger
Résistant RAC Garde-buse, 619 SwitchTip; gâchette de 4 doigts
Resistente RAC Protecção de bico, 619 SwitchTip; gatilho de 4 dedos
Resistente RAC Protección de boquilla, 619 SwitchTip; gatillo de 4 dedos

236531, C

Heavy Duty RAC Tip Guard, 415 SwitchTip; 2-finger trigger
Résistant RAC Garde-buse, 415 SwitchTip; gâchette de 2 doigts
Resistente RAC Protecção de bico, 415 SwitchTip; gatilho de 2 dedos
Resistente RAC Protección de boquilla, 415 SwitchTip; gatillo de 2 dedos

238966, A

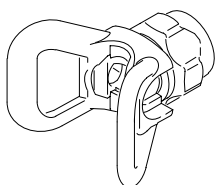
Heavy Duty RAC Tip Guard, Customer ordered SwitchTip; 2-finger trigger
Résistant RAC Garde-buse, Customer ordered SwitchTip; gâchette de 2 doigts
Resistente RAC Protecção de bico, Customer ordered SwitchTip; gatilho de 2 dedos
Resistente RAC Protección de boquilla, Customer ordered SwitchTip; gatillo de 2 dedos

CONTROLS / COMMANDES / CONTROLOS / CONTROLES

Trigger Lock / Verrouillage gâchette / Fecho do gatilho / Seguro del gatillo

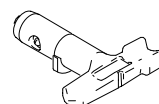


Tip Guard / Garde-buse /
Proteção do bico /
Protección de la boquilla



Trigger / Gâchette
Gatilho / Gatillo

Tip / Buse / Bico / Boquilla

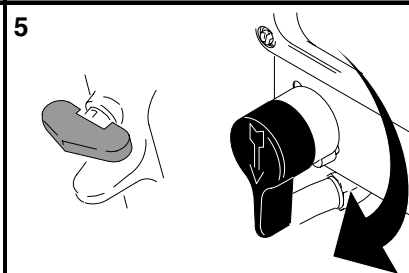
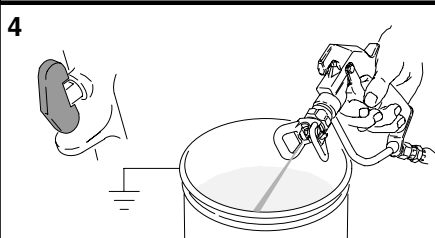
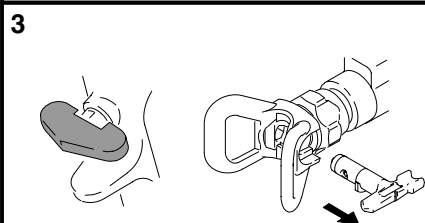
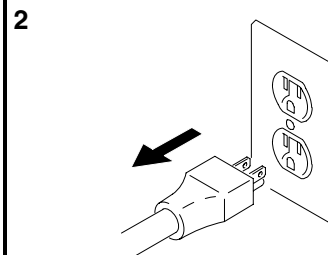
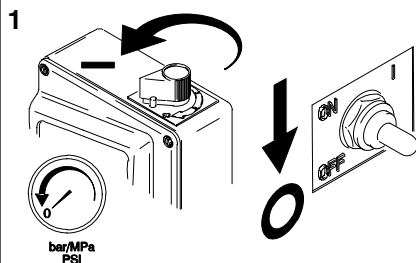


9622A

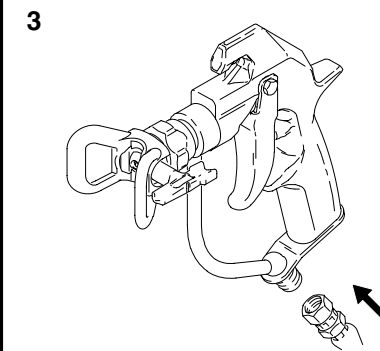
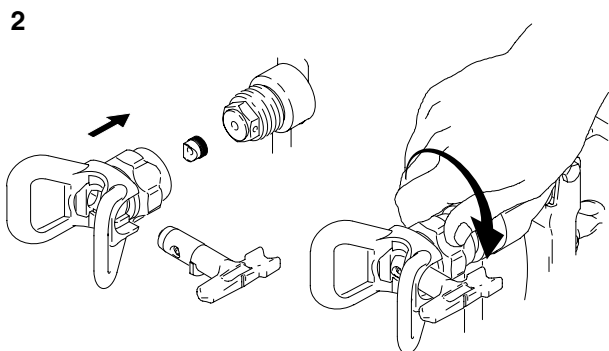
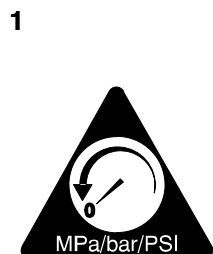
PRESSURE RELIEF / DÉCOMPRESSION / ALÍVIO DE PRESSÃO / DESCOMPRESIÓN



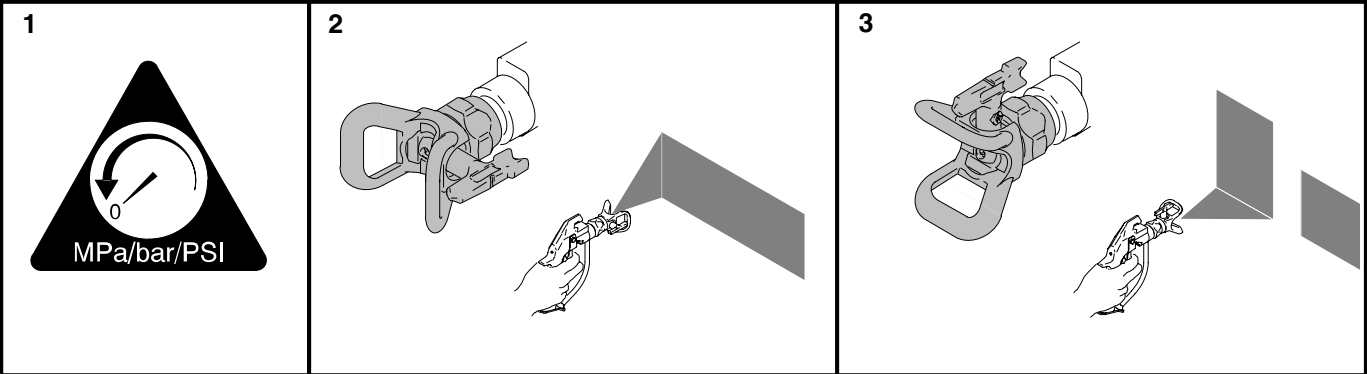
Follow 1–5 when you stop spraying.
Effectuer les opérations 1–5
lors d'un arrêt de la
pulvérisation.
Siga os passos de 1–5
quando parar de pulverizar.
Cuando deje de pulverizar,
siga los pasos 1–5.



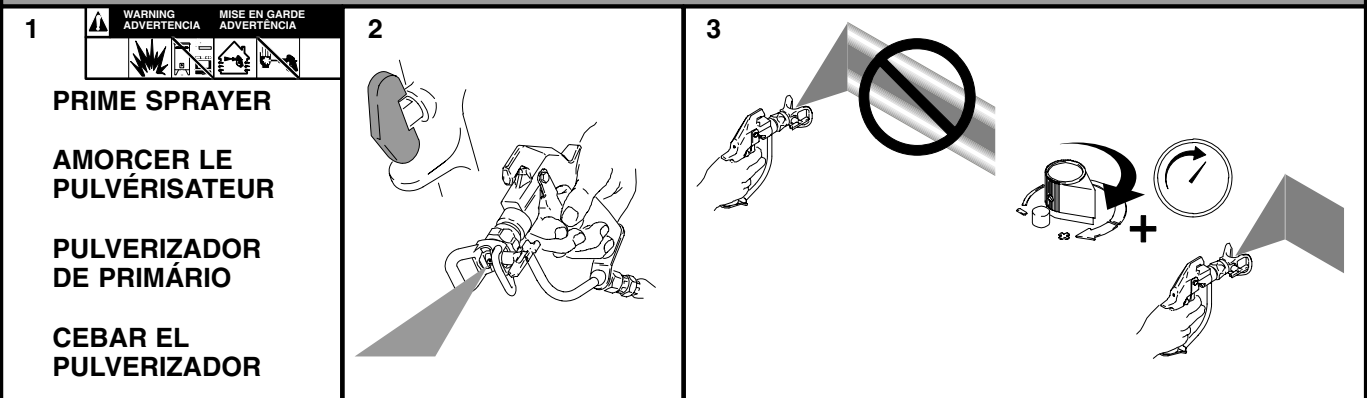
INSTALLATION / INSTALLATION / INSTALAÇÃO / INSTALACIÓN



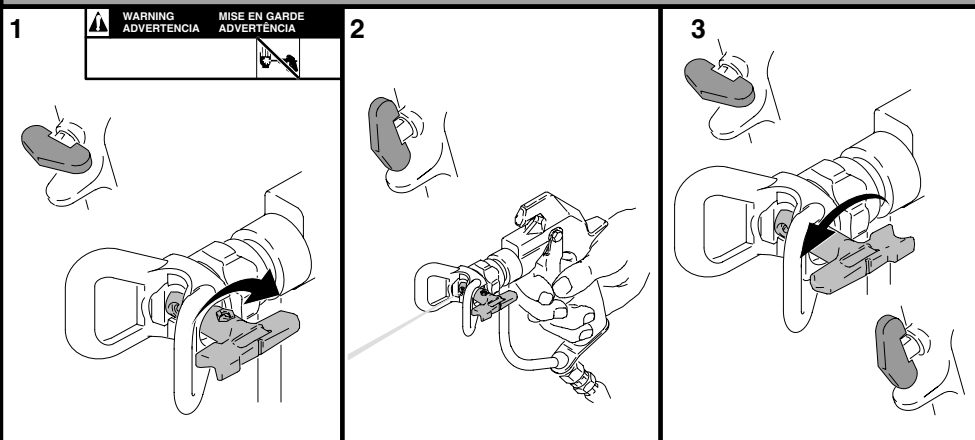
ALIGN SPRAY / ALIGNER LE JET / ALINHAR A PULVERIZAÇÃO / ALINEAR PULVERIZACIÓN



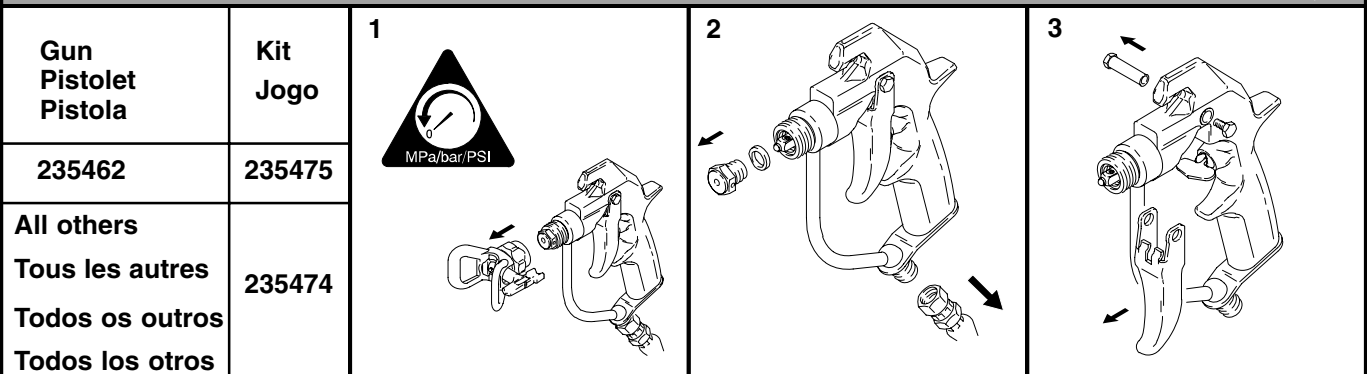
ADJUST SPRAY / RÉGLER LE JET / REGULAR A PULVERIZAÇÃO / AJUSTAR PULVERIZACIÓN



CLEAR CLOG / DÉBOUCHER LA BUSE / ELIMINAR A OBSTRUÇÃO / ELIMINAR OBSTRUCCIÓN



REPLACE NEEDLE / REMPLACER LE POINTEAU / SUBSTITUIR AGULHA / REEMPLAZAR AGUJA



REPLACE NEEDLE / REMPLACER LE POINTEAU / SUBSTITUIR AGULHA / REEMPLAZAR AGUJA

4

5

CLEAN
NETTOYER
LIMPAR
LIMPIAR

6

GREASE
GRAISSER
LUBRIFICAR
GRASA

7

NEW
NOUVEAU
NOVA
NUEVO

9

10

11

12

GREASE
GRAISSER
LUBRIFICAR
ENGRASAR

13

GREASE
GRAISSER
LUBRIFICAR
ENGRASAR

14

15

20–25 ft-lb / 27–34 N·m

16

17

Technical Data

Category	Data
Maximum working pressure	5000 psi (345 bar, 34.5 MPa)
Fluid orifice size	235462: 0.037 in. (0.94 mm) All others: 0.090 in. (2.3 mm)
Wetted parts	Stainless steel, Polyethylene, Polyurethane, Nylon, Teflon®
Weight	18 oz (510 g)
Inlet	1/4 npsm(m)
Maximum material temperature	120°F (50°C)
* Sound pressure level	78 dBa
* Sound power level	87 dBa

* Measured while spraying waterbase paint – gravity 1.36 through a 517 tip at 3000 psi (207 bar, 20.7 MPa) per ISO 3744.

Teflon® is a registered trademark of the DuPont Co.

